

# SUSSEX 660 PEDESTAL LAVATORY

Cat. No.  
3-66X



Faucet not included

## Features:

- ▶ Made of Vitreous China
- ▶ Available for 4" centerset or 8" widespread
- ▶ IAPMO certified
- ▶ Pre-drilled overflow hole
- ▶ Mounting Hardware Included
- ▶ For ease installation order **Hangers** (pair) or **Bracket** (one)

## Colors:

**WH** White  
**BQ** Bisque



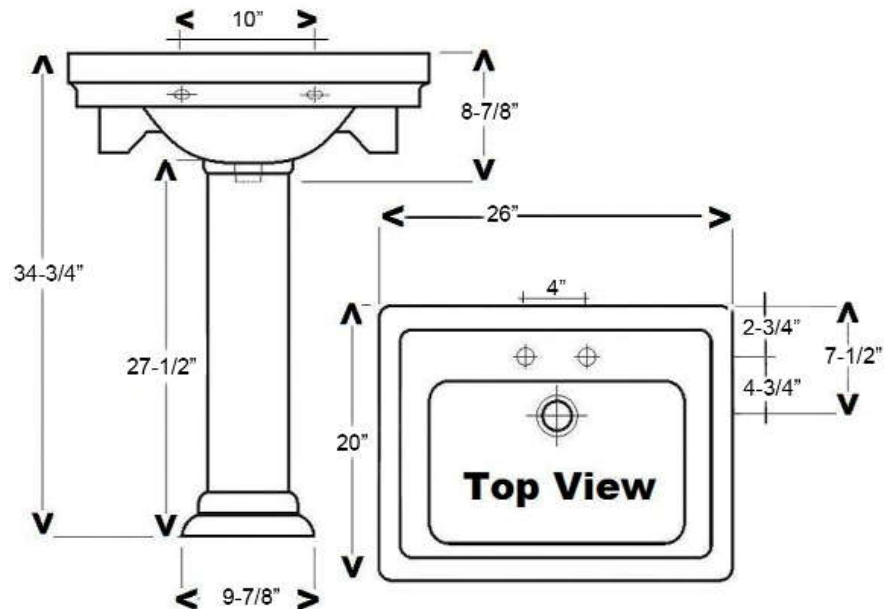
## Compliance Certification

- Meets or exceeds the following specifications: ASME A112.19.2 2018 and CSA B45.1-18 for ceramic plumbing fixtures.

W: 26"  
D: 20"  
H: 34-3/4"

## Interior Dimensions:

Basin Interior:	19" x 12"
Basin Depth:	8-7/8"
Water depth to overflow:	4-1/2"
Back of basin to center of faucet:	2-3/4"
Back of basin to center of drain:	7-1/2"
Mount bolts height:	3-7/8"
Mount holes cc:	11-1/4"
Faucet and spout holes:	1-3/8"
Flange:	1-5/8"



Dimensions of fixture are nominal and may vary within the range of tolerances established by ASME Standard A112.19.2-2018. Dimensions and specifications subject to change without notice.